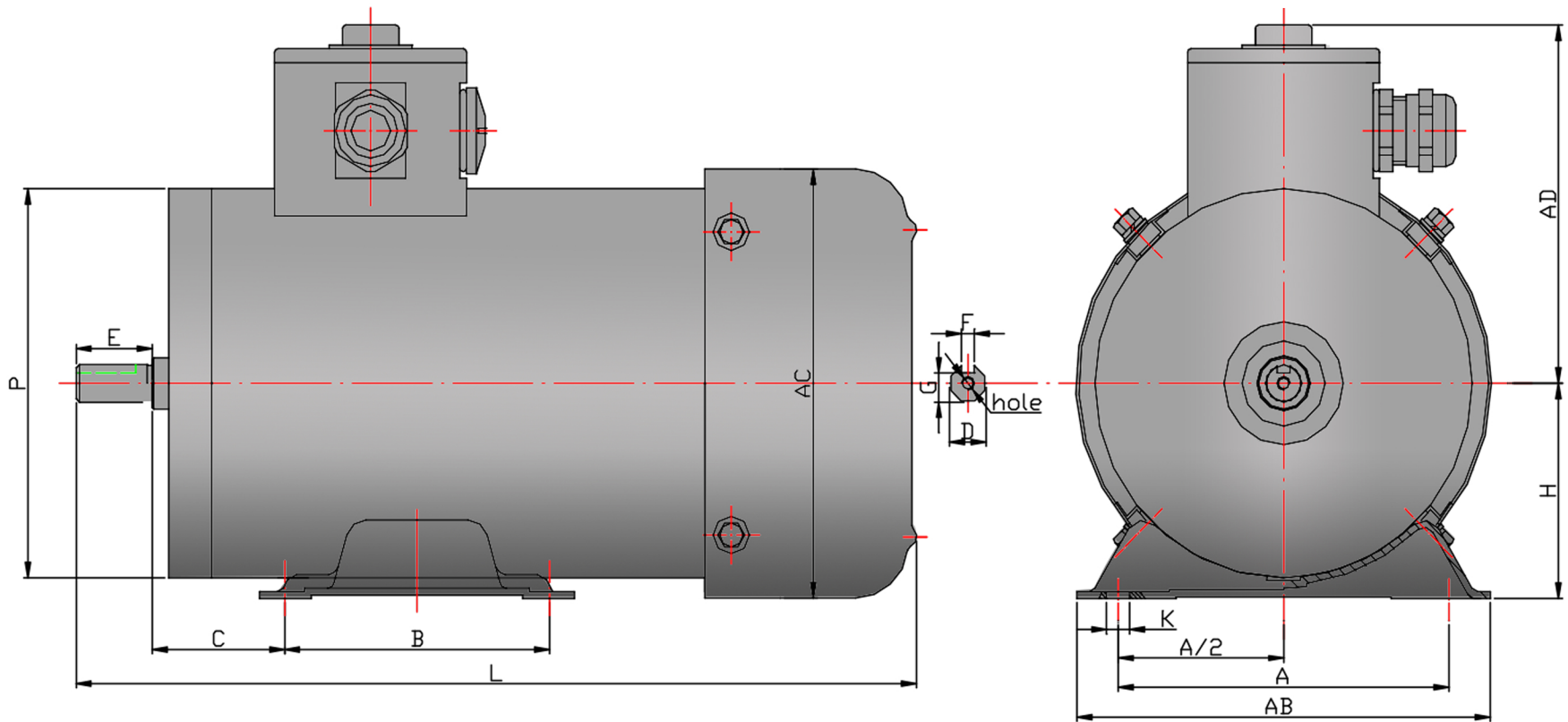


MaxMotion



Version: WT11	Revised: 22-09-2021	Frame	RPM	A	A/2	B	C	D	E	F	MPS/MQS-100L6FC-S3
Customer is responsible in determining that MEP product will fit/perform suitably in the intended application		G	H	K	P	hole	AB	AC	AD	L	
		24	100	12	190	M10	190	202	156	433	